



2004 NISSAN TOWING GUIDE

Table of Contents

Introduction _____	2
Towing Equipment _____	3
What's Right for You _____	5
Preparing Your Vehicle _____	11
Towing Safety _____	16
Towing Tips _____	19
Towing Glossary _____	23
Specifications _____	24
Protection _____	28
Commitment _____	29

INTRODUCTION

SAFETY IS PRIORITY ONE

Obviously, your first concern should be safety. Towing has a significant impact on the dynamics, handling, and braking of your vehicle. Therefore, be certain that your vehicle can meet the demands of the towing application you have in mind.

Rent or purchase only the highest-quality towing and safety equipment you can find. Reinforced tow hitches designed especially for certain Nissan vehicles* are available from your Nissan dealer. Hitches for the other Nissan models should be bought from and installed by a professional supplier of towing equipment. Finally, it is important to follow the towing capacity limit set for your specific vehicle, and to ensure that your vehicle is in top mechanical condition; especially the tires, brakes, suspension, and engine cooling system. See your owner's manual for details.

NEVER EXCEED THE ESTABLISHED TOWING CAPACITY

Only the following Nissan vehicles can tow over 1,000 lbs.:

- ◆ Armada
- ◆ Frontier
- ◆ Murano
- ◆ Pathfinder
- ◆ Quest
- ◆ Titan
- ◆ Xterra

However, actual capacities vary from vehicle to vehicle. See the SPECIFICATIONS section of this guide to view the towing capacities of all 2004 Nissan vehicles. Use this data to help select the proper Nissan vehicle to meet your anticipated needs, and refer to it when renting a trailer or other piece of towing equipment.

*Armada, Frontier, Murano, Pathfinder, Titan, and Xterra. Quest tow hitch is factory installed only.

EQUIP YOUR NISSAN FOR TOWING

The frequency and type of towing should also influence the manner in which you equip your vehicle. If you plan to tow often, either for recreation or work, select the engine size, transmission type, suspension, and towing capacity that are best suited to your requirements. This guide can help you select that equipment.

If, on the other hand, your towing will be infrequent, choose the Nissan vehicle and equipment that best meets your day-to-day needs. Then, be careful not to exceed the towing capacity on those few occasions when you do tow.

READ THIS GUIDE BEFORE YOU TOW

This guide was designed to provide an overview of safe towing practices. In it you'll find information on towing equipment, safety, proper loading and driving techniques, towing tips, and much more.

It is also a good idea to discuss your towing requirements with either your Nissan dealer or a professional supplier of towing equipment before you equip your Nissan vehicle for towing. Finally, there are state and local laws on towing that you should review to ensure you comply with all regulations.

TOWING EQUIPMENT

RENTING

The first thing to keep in mind when renting a trailer is to rent only from professional companies that specialize in towing and towing equipment. More than likely, these representatives will have some experience in selecting and fitting the towing equipment that is appropriate for your Nissan vehicle.

When renting, make sure you have your owner's manual on hand so that you can check the towing capacities for your specific vehicle. Never rent a trailer that exceeds these capacities, and make sure that any other equipment you rent is sufficient for your loaded trailer.

While you're there, ask questions: How much does the trailer weigh? What is the trailer tongue load? How much weight will the trailer hold? What type of brakes is it equipped with? All of these items have an effect on whether your Nissan vehicle is capable of safely pulling that trailer or piece of equipment.

Make certain that all trailer stoplights, taillights, and turn signals are hooked up and operate correctly, and that all safety equipment is properly installed. Check the safety chains/cables, tie-downs, etc.

Carefully inspect the condition of the trailer and equipment: Are the tires worn excessively? Are the tire pressures correct? Are there broken welds, missing bolts or pieces? All these factors can also affect your safety.

Towing safety should be a high priority when choosing and renting equipment, and this is especially true concerning hitches. **Never rent a clamp-on-type hitch.** Since Nissan bumpers not specifically marked for towing are not designed for trailer loads, using this type of hitch may cause damage to your vehicle and could result in trailer separation during towing. **Tow only with a permanent-type hitch.**

PURCHASING

Purchase towing items such as hitches and hitch balls only from your Nissan dealer or a professional supplier of towing equipment.

If you are intending to use your vehicle to tow a trailer you already own, first determine the trailer's weight when fully loaded. This will tell you if, in fact, your vehicle is capable of pulling this amount of weight. In addition, it will also help you purchase the right type, style, and class* of hitch and other equipment.

If you are buying a travel or boat trailer, be sure that your Nissan vehicle has the towing capacity to pull it. See the SPECIFICATIONS section of this guide, or refer to your owner's manual for detailed information regarding the towing capacity of your specific vehicle. Your owner's manual should ALWAYS be referenced before making any towing decisions.

Naturally, you'll want to buy the highest-quality equipment you can find for maximum towing safety. And if you plan to tow often, consider convenience. Quick-disconnect trailer light connectors and ratchet-type tie-downs, for example, make the job go faster and easier, and are usually worth the small extra investment.

*See the SPECIFICATIONS section of this guide for equipment class information specific to your vehicle.

WHAT'S RIGHT FOR YOU

TYPES OF EQUIPMENT

Towing requires a variety of equipment, and, depending upon the application, there can be several types or styles of each piece of equipment. Working with your Nissan dealer or a professional supplier of towing equipment, it should be relatively simple to determine the proper type of equipment for your specific vehicle given the intended application. This section explains the most common pieces of towing equipment available.

HITCHES

Whichever type of hitch you use, it should be firmly bolted to your vehicle, and should be of the appropriate weight class for the equipment you intend to tow. In addition, keep the following in mind:

- ◆ Do not modify the vehicle's braking or exhaust systems or its body structure/frame when installing the hitch.
- ◆ Be sure that the hitch does not interfere in any way with the vehicle's energy-absorbing bumper.
- ◆ Regularly check to see that all hitch-mounting bolts are securely fastened.
- ◆ Where practical, remove the hitch when not in use. Your Nissan dealer can assist you in hitch removal and reinstallation. When removed, seal the bolt holes to prevent road spray, fumes, water, and dirt from entering the vehicle.
- ◆ For receiver-type hitches using a ball mount, the ball mount should be removed when not towing.
- ◆ If you install a hitch yourself, remember that it must be securely attached to the frame or underbody, according to the manufacturer's instructions. **Never attach a hitch or towing device to the vehicle axle housing. This may damage the housing, wheel bearings, wheels, or tires.**

Hitch Types

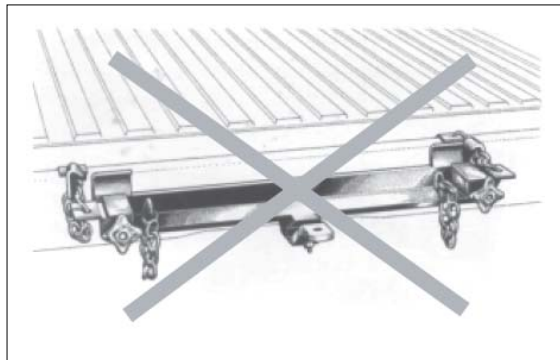
Bumper Hitch – This is a special reinforced bumper designed to accommodate a hitch ball.



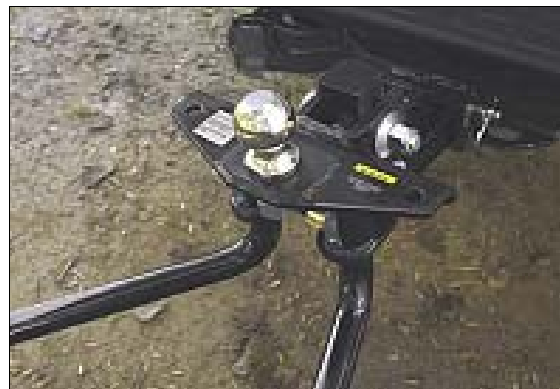
Receiver Hitch – A receiver hitch is bolted directly to the vehicle structure for added strength and durability. Nissan bolt-on receiver hitches are designed specifically for Nissan vehicles, and include the necessary reinforcements, with ample clearance around bumpers, frame members, etc. These hitches allow for the removal of the ball mount when not towing.



Clamp-On Bumper Hitch – As the name suggests, this type of temporary hitch clamps onto the bumper assembly. **Nissan does not recommend the use of this type hitch for a number of reasons.** It may interfere with performance of the energy-absorbing bumper. And because the bumper was not designed to carry this type of load, it could damage the bumper and bodywork, and may possibly result in trailer separation during towing. Therefore, **tow only with a permanent hitch.**



Weight-Distributing Hitch System – This type of system uses a “load-leveling” or “equalizing” hitch. The weight-distributing feature helps shift the trailer tongue weight to all trailer tires and the tow vehicle front tires.



Purchase of a Weight-Distributing hitch ball mount (Class IV) is **STRONGLY RECOMMENDED** if you own an Armada or

Titan vehicle and plan to tow trailers with maximum weight over 5,000 lbs. This ball mount includes a $2\frac{5}{16}$ ” hitch ball rated for up to 10,000 lbs., and is available through your Nissan dealer for use with the optional tow package.

BALL MOUNT

A ball mount (also known as a drawbar or “stinger”) is a bar that holds a hitch ball and is inserted into a receiver-type hitch. Ball mounts come in a number of weight capacities (3,500 lbs., 5,000 lbs., etc.) and sizes (1¹/₄”, 2”, etc.), and can be weight-distributing or non-weight-distributing.

HITCH BALL

A hitch ball is bolted through a ball mount or a hitch hole in the tow vehicle's rear bumper. The coupler on the trailer tongue attaches over the hitch ball.

Like ball mounts, hitch balls come in a number of weight capacities and sizes. Therefore, always make sure the hitch ball selected has the proper shank diameter and weight rating for the ball mount as well as the coupler on your trailer. Using a 1⁷/₈” hitch ball in a 2” coupler, for example, could result in the trailer separating from the tow vehicle.

There are different diameters of hitch holes. If a hitch ball with a smaller shank is used in a larger hole, a bushing should be used to take up the excess clearance. Bushings are often included with Nissan accessory hitch balls.

A simple maintenance routine for the hitch ball is recommended to keep it in top condition. Coating it with light grease will minimize wear of both the coupler and hitch ball. Also, by removing the hitch ball when not towing, or by protecting it with a special cover, you will help prevent rust from forming on it.



TRAILER TONGUE

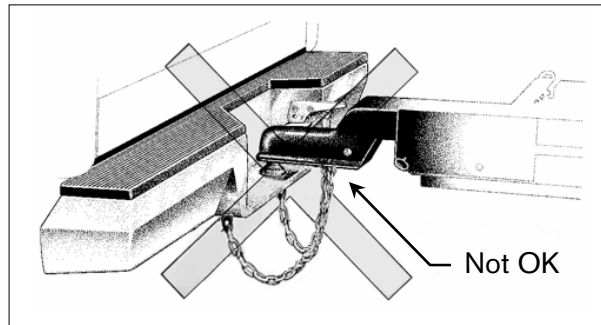
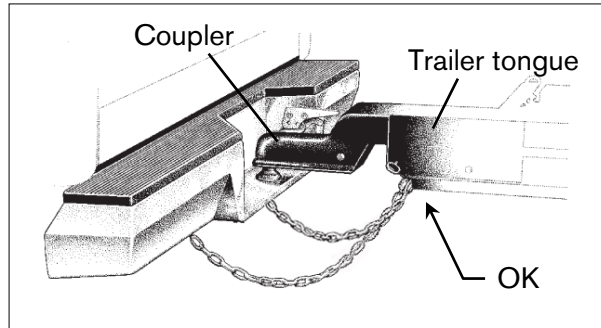
The tongue (see illustration on page 8) is the part of the trailer that extends forward to meet the tow vehicle, and also carries the coupler assembly. Knowledge of the trailer tongue load is critical, as it can have a significant effect on the handling of the tow vehicle. See the SPECIFICATIONS section of this guide, or refer to your owner's manual to view the maximum trailer tongue load listed for your vehicle.

SAFETY CHAINS/CABLES

Always use suitable safety chains or cables between the tow vehicle and the trailer. If the hitch should break or become disengaged for some reason, these chains/cables will provide an emergency connection between the vehicle and the trailer.

The chains/cables should be crossed under the trailer tongue and attached to the hitch or vehicle frame. Crossing the chains/cables under the tongue will help prevent the tongue from hitting the ground should the trailer become disconnected. Be sure to leave enough slack in the chains/cables to turn corners without binding; however, note that excessive slack will allow the chains/cables to drag on the ground.

Do not use S-hooks for attaching, as they may become un-hooked, and are illegal in many states. To avoid damage to the bumper and chains/cables when making a sharp turn, do not attach the chains/cables too close to the coupler. Consult your trailer manufacturer for the proper location of the chain/cable attachment to the trailer.



BREAKAWAY SWITCH

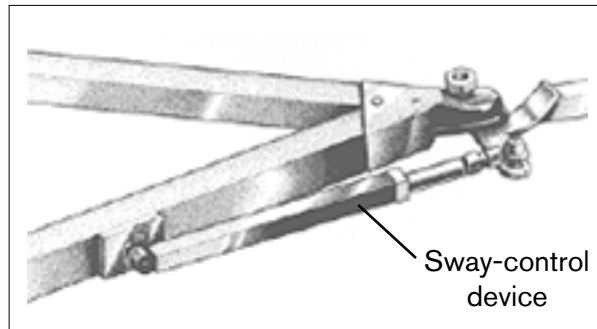
On a trailer with electric brakes, a breakaway switch can automatically activate the trailer brake system if the trailer becomes separated from the tow vehicle. Should the trailer become detached, a breakaway switch may help prevent the trailer from wandering into another lane and will bring it to a safer stop with less damage.

Be sure to leave enough slack in the tether on the breakaway switch to turn corners without binding. If not, the electric trailer brakes will lock-up and not release.

See your trailer manufacturer for proper installation of a breakaway switch that is compatible with your trailer braking system.

SWAY-CONTROL DEVICE

Sway-control devices are used to help control the effects of sudden maneuvers, wind gusts, and buffeting caused by other vehicles. Make sure the sway-control device is compatible with your trailer braking system.



REAR VIEW MIRRORS

In many cases, a trailer can block your rear vision when you're using only the standard Nissan rear view mirrors. These mirrors were not designed for towing.

"Extended" mirrors specifically designed for trailer towing should be used when your rearward vision is obstructed. Before using these mirrors, make certain that they comply with state and local regulations.

Telescoping Tow Mirrors are available as an accessory for Armada and Titan vehicles. Contact your Nissan dealer for details.

TRAILER LIGHTS

Trailer lights should comply with all applicable federal, state, and local regulations, and should be in proper working order at all times. A trailer's taillights, stoplights, and turn signals must be wired* into the tow vehicle's electrical system. Many trailers use the same filament of a dual-filament bulb for both stoplights and turn signals. The second filament is used for the trailer's taillights. All Nissan vehicles utilize separate filaments for each function. Direct splicing of this type of trailer lighting may cause damage to your vehicle's electrical system and malfunction of the trailer lighting. When connecting your Nissan vehicle to this type of trailer lighting system, a 3-wire to 2-wire power converter** must be used. A power converter of this type creates only minimal additional demand (draw) on the vehicle lighting circuits to power the trailer lighting.

Always check for correct operation of the turn signals, stoplights, and taillights every time you connect a trailer for towing. Never replace vehicle fuses with fuses of a higher amperage rating than the original.

NOTE – Improper or poor quality trailer harness wiring may affect your vehicle's electrical system. Use only a Nissan approved wiring harness, or consult your dealer or a professional supplier of towing equipment for compatible equipment.

*See the SPECIFICATIONS section of this guide for wiring harness information specific to your vehicle.

**Armada and Titan vehicles are pre-wired for trailer lighting and do not require a converter.

BRAKES

Many states require a separate braking system on trailers with a loaded weight of more than 1,500 lbs., and as with hitches, there are several types of braking systems available.

NOTE – Never connect a hydraulic trailer brake system directly to the vehicle hydraulic brake system.

Surge Brakes – The surge brake is mounted on the trailer tongue with a hydraulic line running to each trailer wheel. Surge brakes are activated by the trailer pushing against the hitch when the tow vehicle is braking. Hydraulic surge brakes are common on rental trailers and some recreational trailers. In this type of system, there is no hydraulic or electric connection for brake operation between the tow vehicle and the trailer.

Electric Trailer Brakes – Electric braking systems are activated by an electronic signal sent from a trailer brake controller (special brake-sensing module).

If electric trailer brakes are used, Nissan recommends all-electronic actuation because with this system it will not be necessary to tap into the tow vehicle's hydraulic system.

For your convenience, Armada and Titan vehicles are pre-wired to accommodate most popular electric trailer brake controllers. A wiring harness* is either included with your vehicle or available from your Nissan dealer. This harness provides electric trailer brake controller input and output connections to the vehicle wiring. See a professional supplier of towing equipment for electric trailer brake controller availability.

NOTE – Improper or poor quality trailer harness wiring may affect your vehicle's electrical system. Use only a Nissan approved wiring harness, or consult your dealer or a professional supplier of towing equipment for compatible equipment.

GENUINE NISSAN PARTS AND ACCESSORIES

Whether you'll be towing occasionally or on a regular basis, Nissan offers a full range of Genuine Nissan Parts and Accessories to help you tow with confidence.

Every accessory is thoroughly tested and inspected for fit and workmanship. Therefore, you can be certain that every item is designed to be compatible with the standard features of your vehicle and designed to assist you with your towing needs.

Contact your Nissan dealer for more information on accessories or towing-related parts for your Nissan vehicle.

*See the SPECIFICATIONS section of this guide for wiring harness information specific to your vehicle.

PREPARING YOUR VEHICLE

BREAK-IN AND MAINTENANCE SCHEDULE

Nissan recommends that you allow a sufficient “break-in” (500 miles) of both the engine and drivetrain before towing with your new Nissan vehicle. For the first 500 miles that you tow a trailer, do not drive over 50 mph.

Keep in mind, too, that towing places higher demands and added loads on vehicle components, so more frequent maintenance is called for. Your service maintenance guide provides the accelerated maintenance schedule for towing purposes. Engine oil, filter, transmission oil, and possibly other fluids should be changed more frequently when towing.

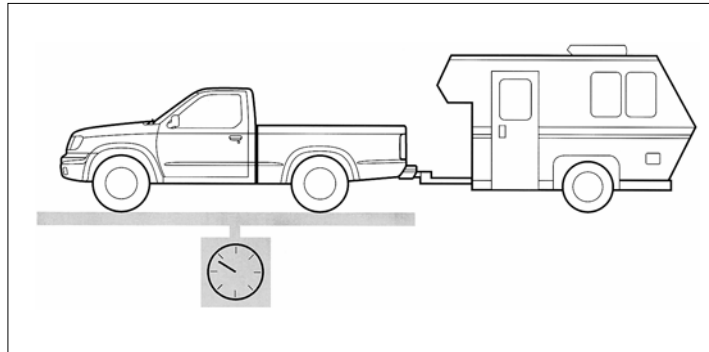
MEASURING VEHICLE WEIGHT

The key to safe, efficient towing has to do with weight. Your vehicle – SUV, truck, Minivan, or passenger car – is capable of carrying and towing only a certain amount of weight. You must compare your vehicle’s tow-weight ratings with the combined weight of the vehicle, trailer, and their contents. This will help ensure that the total weight does not exceed any of your vehicle’s tow weight ratings. There are four weights to consider when towing:

- ◆ Gross Vehicle Weight
- ◆ Gross Axle Weight (Front and Rear)
- ◆ Gross Combined Weight
- ◆ Trailer Tongue Load

These ratings are based upon normal highway driving and may be reduced if operating on very steep grades or in reduced-traction situations, e.g., slippery boat ramps.

NOTE - Attempting to tow loads greater than the GVWR, GAWR, GCWR, and the Trailer Tongue Load specified could adversely affect vehicle handling, braking, and performance. Damage to your vehicle resulting from overloading may not be covered by your vehicle warranty.



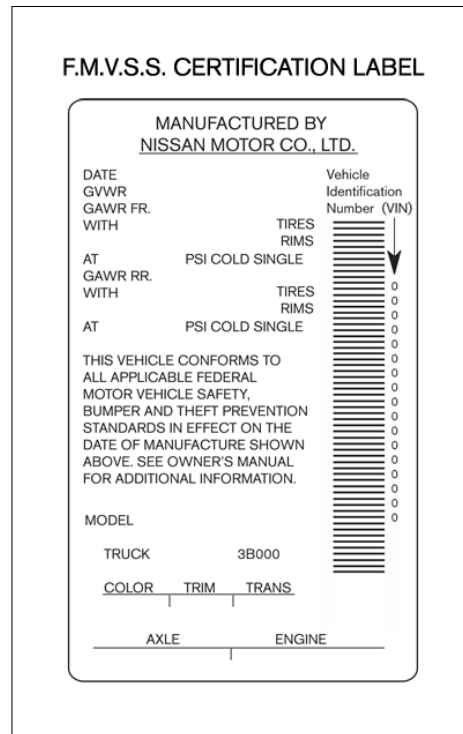
GROSS VEHICLE WEIGHT (GVW)

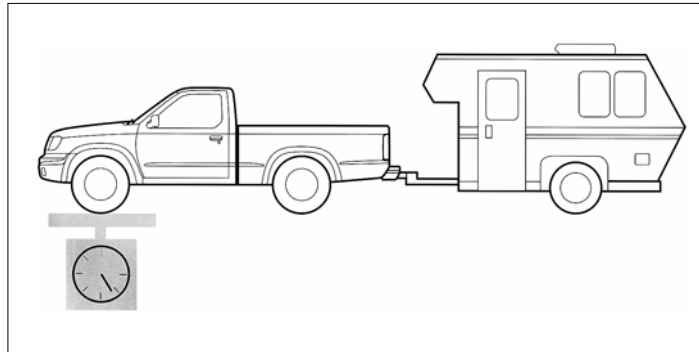
The Gross Vehicle Weight (GVW) is the total weight of the vehicle, plus passengers, cargo, fuel, hitch, trailer tongue weight, and any optional equipment.

The best way to determine the GVW is by having the vehicle - loaded and ready to tow - weighed at a public scale. To that figure, add the combined weight of all passengers. Then, add the trailer tongue weight to determine the approximate GVW.

The GVW you come up with must not exceed the Gross Vehicle Weight Rating (GVWR) for your vehicle. On all Nissan vehicles, the GVWR is shown on the Federal Motor Vehicle Safety Standard (F.M.V.S.S.) certification label located in the driver’s-side door area.

To avoid overloading the vehicle, be sure to include the trailer tongue weight as a part of the cargo when determining how much weight can be safely carried inside the vehicle. The weight of the roof rack cargo should also be included.



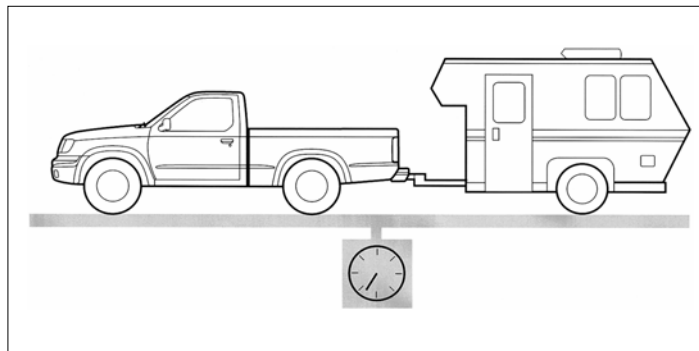


GROSS AXLE WEIGHT (GAW)

The Gross Axle Weight (GAW) is the maximum weight each axle (front and rear) is designed to safely carry.

To determine the GAW, load the vehicle as you would for towing and attach the loaded trailer. At a public scale, with the loaded trailer attached, place only the tow vehicle front wheels on the scale to determine the actual **front axle GAW**. To obtain the **rear axle GAW**, place all four tow vehicle wheels on the scale. From that figure, subtract the **front GAW** and you've got the **rear GAW** amount.

The GAW you come up with must not exceed the Gross Axle Weight Rating (GAWR) for your vehicle. On Nissan vehicles, the GAWR for both axles is listed on the F.M.V.S.S. certification label.

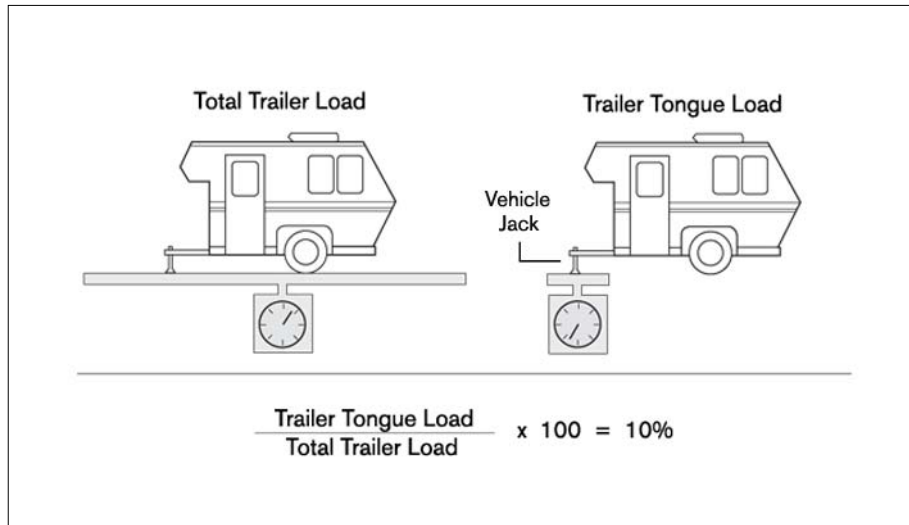


GROSS COMBINED WEIGHT (GCW)

The Gross Combined Weight (GCW) is the total weight of the tow vehicle with all passengers, cargo, and fuel, **plus** the total weight of the trailer and all its cargo.

To determine the GCW, simply weigh your vehicle when fully loaded and ready to tow, and add in the weight of the loaded trailer.

The GCW you come up with must not exceed the Gross Combined Weight Rating (GCWR) for your vehicle. See the SPECIFICATIONS section of this guide, or refer to your owner's manual to view the GCWR listed for your vehicle.

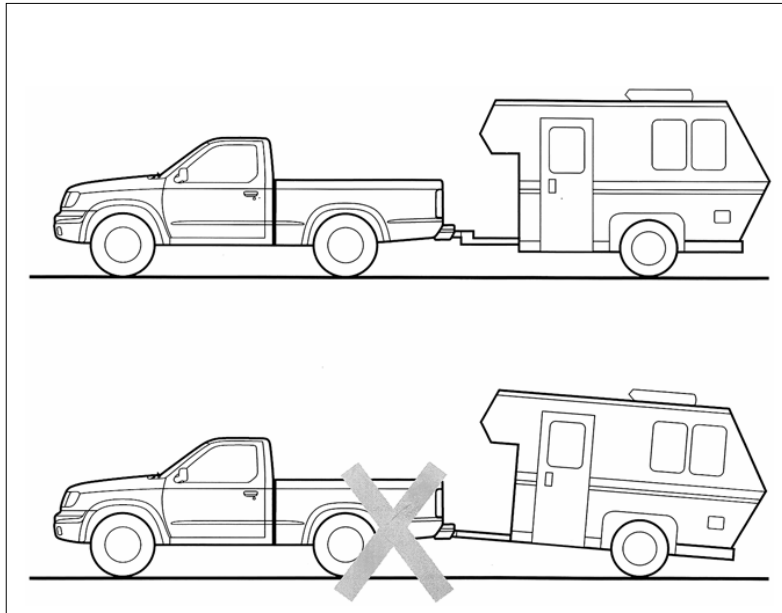


TRAILER TONGUE LOAD

Trailer tongue load is the amount of weight pressing down on the tow vehicle hitch. To measure trailer tongue load, place the tongue of the trailer on a scale when the trailer is not attached to the vehicle. A separate vehicle jack – not the trailer jack – should be used, as the location of the trailer jack is rearward of the trailer tongue and will not give you an accurate measurement of the true tongue load. Make sure the vehicle jack is placed directly under the trailer tongue coupler, and the tongue is set at the height/level of the tow vehicle hitch.

For proper handling, keep the trailer tongue load between 10% – 15% of the actual trailer weight, within the limits of the maximum trailer tongue load allowable. For example, to determine the proper trailer tongue load for a 1,500-lb. trailer, multiply the weight of 1,500 lbs. by 10% to arrive at a figure of 150 lbs. See the SPECIFICATIONS section of this guide, or refer to your vehicle owner's manual to view the maximum trailer tongue load listed for your vehicle.

NOTE – Trailer tongue load must be more than 10%, but not over 15% of the total trailer weight.



HITCH HEIGHT/TRAILER HEIGHT

It is important that your trailer floor and tongue ride as level as possible. This will help prevent over-angling, bottoming-out, and improper load transfer. Therefore, the hitch or trailer tongue should be adjusted during the initial vehicle/trailer fit-up to ensure a level ride. Ball mounts are available in different configurations to change the hitch ball height.

TIRE PRESSURE

When towing a trailer, increase tow vehicle tire pressures to the recommended cold specifications. You'll find these figures in the owner's manual and on the tire pressure chart located in the vehicle. Trailer tire condition, size, load rating, and inflation pressure should be in accordance with the trailer and tire manufacturer's specifications.

TOWING SAFETY

Towing can dramatically alter the handling and performance characteristics of your vehicle. Plus, it puts increased strain on the engine and drivetrain. Therefore, it is always a good idea to approach towing from the standpoint of safety – whether you're purchasing equipment, or actually pulling the trailer.

Always make sure your vehicle's towing capacity is adequate for the trailer you intend to tow. Buy or lease only quality equipment, and have it installed only by professionals.

In addition, be certain that you have all of the equipment needed for safe towing, including safety chains/cables, electric trailer brakes, electric trailer brake controller, breakaway switch, extended rear view mirrors, and so on. All of these items have been discussed in a previous section of this guide.

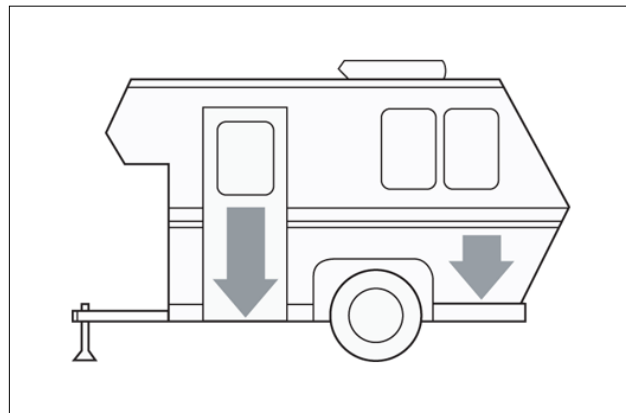
With regard to vehicle maintenance, you should follow a more frequent schedule, and check fluid levels, pressures, tire condition, etc., more often when on the road. See your owner's manual for details.

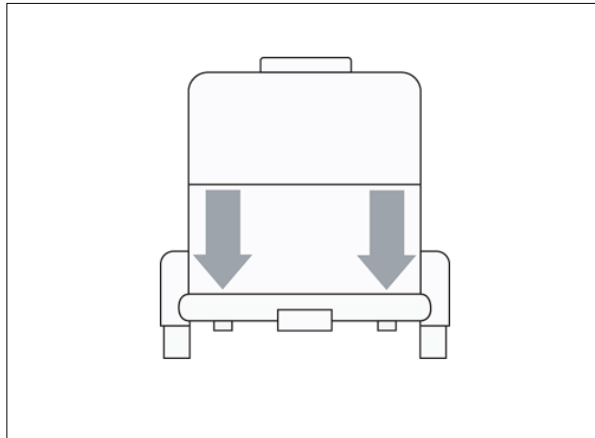
LOADING YOUR TRAILER

Taking the time to load and balance your trailer properly will improve overall handling and minimize the strain on your tow vehicle. Incorrectly loaded trailers tend to sway or swing from side to side, upsetting vehicle handling. Careful loading and balancing can help eliminate these problems.

We've already talked about trailer tongue load. It should fall between 10% and 15% of the total trailer weight. Excessive tongue load can actually push the vehicle down in back, lifting the front wheels to a point where traction, steering response, and braking are severely reduced. Insufficient tongue load can cause instability, which may lead to "tail wagging" or jackknifing.

With this in mind, proper loading is extremely important. When loading a trailer, 60% of the total cargo weight should be positioned in the front portion of the trailer. Then, the load should be adjusted until the proper tongue-load ratio is achieved.





The trailer load should be balanced equally from side-to-side. Unequal side-to-side loading can negatively affect handling and braking. Once in place, all cargo should be firmly secured to prevent shifting. If the load should shift abruptly during braking or cornering, it could quickly affect the handling of your vehicle and cause a very unsafe situation.

Finally, do not carry flammable materials, such as gasoline, in your trailer. In the event of an accident, an explosion or fire could occur.

ENSURING VEHICLE/TRAILER STABILITY

Improper loading, excessive or insufficient trailer tongue load, overloading, excessive trailer weight, poorly designed trailer suspensions, crosswinds, and poor maintenance are all things that can affect the stability of your vehicle/trailer combination.

If swaying does occur, **DO NOT rapidly apply the vehicle brakes.** Forceful, rapid application of the vehicle brakes under these conditions could result in a loss of vehicle/trailer control. Firmly grip the steering wheel, steer straight ahead, and immediately – but gradually – reduce vehicle speed. If equipped, apply the electric trailer brakes to reduce swaying and slow down. This combination will help stabilize the vehicle. Never increase speed.

Check the cargo load for proper balance and distribution to ensure proper trailer tongue load. In addition, check the condition of the suspension and shocks, as well as the tires, tire pressures, and wheel bearings on both the tow vehicle and the trailer.

If swaying occurs because of high winds or poor weather conditions, wait until these conditions improve before resuming your trip.

Finally, if the swaying continues and you feel your trailer is suitably balanced and within the towing capacity limits of your vehicle, discontinue towing and consult your Nissan dealer or trailer manufacturer to determine the problem. Most important, do not tow until the problem is corrected.

VEHICLE SPEED

Some states have specific speed limits for vehicles that are towing trailers. Always obey the local speed limits.

Remember to reduce your speed in unsafe or less-than-ideal road conditions or weather. When towing a trailer, braking distances increase while handling agility decreases. Always leave yourself an extra margin of distance to respond to emergency situations.

PASSENGERS

Never allow passengers to ride inside a trailer while it is being towed. Not only is this unlawful in most areas, passengers could be seriously injured during sudden trailer movement, or in an accident. In addition, trailers may allow fumes from the tow vehicle to leak inside. This could result in carbon monoxide poisoning from the engine exhaust.

VEHICLE MODIFICATIONS

Vehicle modifications – beyond those required for proper hitch installation, wiring hook-up, and necessary cooling system upgrading – are not recommended for any Nissan vehicle being used for towing purposes. Changes to the drivetrain, suspension, exhaust systems, frame structure/unibody, or other vehicle components are not necessary for towing within the limits described in this guide. These changes may diminish the reliability and longevity of your vehicle and possibly void warranty coverage as well.

TOOL KIT

It is always a good idea to travel with a special tool kit when towing. In addition to tools, it should contain flares, a flashlight, emergency reflectors, jumper cables, extra fuses, extra radiator coolant, oil, and easily replaced spare parts such as taillight bulbs. You should also carry spare tires for your tow vehicle and trailer, as well as a jack suitable for use on the trailer. Be aware that not all automotive jacks can be used safely on a trailer.

BEFORE STARTING OUT

Before starting out on a trip, make one last inspection of the tow vehicle and the trailer. Are the tire pressures correct? Are the safety chains/cables securely in place? Is the cargo tied down securely? Do all the lights work? Is the coupler properly attached over the hitch ball? Is the breakaway switch hooked up and functioning properly? Are vehicle and electric trailer brakes working properly?

Make a checklist of key items to be inspected, and don't forget the basics. When towing, vehicle engine oil, transmission oil, and coolant should always be checked before starting out. Finding a potential problem while in your driveway is better than discovering it miles from home.

TOWING TIPS

If you've never towed a trailer before, be aware that it does take getting used to. To begin with, towing noticeably affects your vehicle's performance:

- ◆ It will not accelerate as quickly – an important point to keep in mind when merging onto a highway.
- ◆ It will not stop as quickly. Leave more room than usual between you and the traffic ahead, and brake sooner when coming to a stop.
- ◆ Abrupt maneuvering can unbalance the load and reduce the handling stability of your tow vehicle. Plan ahead and make lane changes and turns smoothly.

If possible, before you actually hit the open road, practice towing in a large, uncrowded area such as a stadium or shopping center parking lot. Become especially familiar with backing up a trailer – the maneuver many people find most difficult.

REDUCE SPEED

Drive your vehicle at a moderate speed, and remember to reduce your speed in unsafe or less-than-ideal road conditions or weather. The tendency for a trailer to sway increases with speed, and such swaying can result in a loss of control.

BRAKE SOONER

The combination of your tow vehicle and trailer obviously requires a greater distance to stop. A good rule of thumb to remember is: for each 10 mph of speed, allow yourself one tow vehicle and trailer length of distance between the front of your vehicle and the vehicle ahead.

When braking, use firm, but gradual pressure on the pedal rather than panic braking. Applying the brakes abruptly or with too much force can cause the trailer to skid or jackknife at its point of attachment with the vehicle. This, in turn, can throw the tow vehicle out of control.

If equipped with an electric trailer brake controller, follow the recommended operational instructions.

CORNER MORE SLOWLY

Entering a sharp corner too quickly or abruptly can “crack the whip,” whereby the trailer can actually pull the tow vehicle off the road. Therefore, when approaching a relatively sharp corner, begin braking sooner than you would when not towing. Do your braking in a straight line prior to the corner, and turn smoothly into it. In addition, remember to make a wider turn than normal to ensure that the trailer safely clears the inside of the turn.

BACK UP WITH CAUTION

Backing up with a trailer is a difficult maneuver; however, there is a “trick” that can simplify the procedure considerably. Simply steer with one hand at the bottom of the steering wheel. To turn the trailer to the left, first move the steering wheel to the left. To turn the trailer to the right, move the wheel to the right. All movements of



the wheel should be done in small increments. Of course, backing up should be done only at very slow speeds. For large trailers that obstruct your rearward vision, have someone outside the vehicle act as a “spotter” to guide you along.

PARK SMART

A tow vehicle and trailer can be an unwieldy combination in a small area, so always try to park where you will have a relatively easy time maneuvering. Once parked, always block the wheels on both the tow vehicle and the trailer.

Parking on a slope is not recommended. If, however, you must park on a slope, and your vehicle is equipped with an automatic transmission, there are some precautions you should take:

- ◆ Have someone block the wheels once the tow vehicle and trailer are in position and being held by the vehicle’s brake.
- ◆ Next, apply the parking brake, and only then move the gear lever into PARK. If you move the lever into PARK before blocking the wheels and applying the parking brake, transmission damage may occur.

PASS CAREFULLY

As mentioned in the introduction to this section, because of the added weight of the trailer, acceleration capability is reduced and you’ll require a longer distance to pass another vehicle. Be certain you have sufficient time and space to pass safely. Obviously, never attempt passing on hills or when going around curves.

HIGH-ALTITUDE PERFORMANCE

An engine will lose about 4% of its performance for every 1,000 feet above sea level that you travel. If you will be towing in high altitudes, it’s a good idea to allow more time than usual due to the engine’s reduced performance.

HILLS – UPGRADES

As the incline increases, shift down to a lower gear to maintain speed and prevent the engine from lugging. However, for long, steep grades, do not stay in first gear when driving above 35 mph or in second gear above 58 mph*. The added weight of a trailer places an increased load on the engine and cooling system, so monitor your coolant temperature gauge and automatic transmission fluid temperature gauge (if equipped) very carefully. At the first sign of overheating, pull to the side of the road. See IF YOUR ENGINE OVERHEATS later in this section for more information.

HILLS – DOWNGRADES

While going downhill, the weight of the trailer pushing on the tow vehicle may decrease overall stability. Therefore, to maintain adequate control, reduce your speed and shift to a lower gear.

When descending a hill, also avoid long or repeated use of the brakes, as this reduces their effectiveness and could cause overheating. Shifting to a lower gear instead provides “engine braking” and reduces the need to brake as frequently.

AUTOMATIC CRUISE CONTROL

Do not use cruise control while towing a trailer.

TOW MODE (IF EQUIPPED)

Tow Mode should be used when the vehicle and trailer weight is at least 75% of the vehicle GCWR. This mode is most useful when towing a heavy trailer or hauling a heavy load, particularly when stop-and-go traffic, rolling terrain, or a busy parking lot is involved.

Driving the vehicle in Tow Mode with minimal trailer load will not cause any damage; however, fuel economy may be reduced, and transmission/engine driving characteristics may feel different.

IF YOUR ENGINE OVERHEATS

A moderate increase in engine operating temperature is normal when towing a trailer. If, however, the coolant temperature gauge reading is abnormally high, or if you are experiencing a significant loss of power, or if you hear unusual engine noises**, the engine may be overheating and you should immediately take the following steps:

1. Pull your vehicle safely over to the side of the road, out of traffic. Apply the parking brake, and move the gearshift lever to NEUTRAL (manual) or PARK (automatic). **DO NOT STOP THE ENGINE.**

*For Murano, see your owner's manual for information applicable to your vehicle.

**See your owner's manual for additional indications that your vehicle may be overheating.

2. Turn off the air conditioning and, after opening all the windows, turn the heater on to maximum hot and the fan to its highest speed. The heater core in your vehicle is just like a miniature engine radiator and will provide an extra cooling surface to help reduce engine temperature.
3. Run the engine at a fast idle (approximately 1,500 rpm) until the temperature gauge returns to a normal reading. If the temperature does not drop or continues to increase, stop this step immediately.
4. Being cautious of traffic, step out of the vehicle and, from a safe distance, look for steam underneath the engine. If you see steam or leaking coolant, stand clear to avoid being burned. Shut off your engine immediately and allow it to cool. If there is no steam, open the hood. Never remove the radiator cap when the radiator is hot. If the cap is removed under these conditions, hot water under high pressure may spurt out, possibly causing serious injury.
5. As soon as the engine has cooled to its normal operating temperature, visually inspect the drive belts for damage or looseness. A loose belt reduces water pump efficiency. Be careful to keep your hands, hair, jewelry, and clothing clear of the running drive belt and other moving parts when inspecting the engine and radiator. Also check to see if the cooling fan is running, and inspect the water pump, radiator, and radiator hoses for leaks. Keep in mind, too, that if your vehicle is equipped with an electric fan motor, it may start without warning any time the coolant temperature is high. If you find leaking coolant, a loose or missing drive belt, or an inoperable fan, turn the engine off immediately.
6. If no leaks are apparent and all other components appear to be operating properly with the engine cooled to its normal operating temperature, check the coolant level in the reservoir tank with the engine running. Add coolant to the reservoir tank if needed. At this point, if repairs are required, go to the nearest Nissan dealer. See the IN CASE OF EMERGENCY section of your owner's manual for additional information on overheating.

NOTE – Armada and Titan vehicles have an engine protection mode which helps reduce the chance of engine damage if the engine coolant reaches a specified temperature. The Murano has a high fluid temperature protection mode which helps to reduce the chance of transmission damage. See your owner's manual for details.

TOWING GLOSSARY

BALL MOUNT	<i>A bar that holds the hitch ball and is inserted into the hitch receiver. Also commonly called a drawbar or "stinger."</i>
BREAKAWAY SWITCH	<i>A safety device that automatically applies the trailer's brakes if it should accidentally become separated from the tow vehicle. A breakaway switch may be used with both electric or surge trailer brake systems.</i>
BUMPER HITCH	<i>A reinforced bumper designed to accommodate a hitch ball.</i>
ELECTRIC TRAILER BRAKES	<i>When the brakes on a tow vehicle are applied, an electric current is sent to an actuator which applies the trailer's brakes.</i>
ELECTRIC TRAILER BRAKE CONTROLLER	<i>A device that helps control the electric trailer brakes.</i>
GROSS AXLE WEIGHT RATING (GAWR)	<i>The maximum amount of weight each vehicle axle (front and rear) is designed to safely carry.</i>
GROSS COMBINED WEIGHT RATING (GCWR)	<i>The maximum allowable combined weight of the vehicle and trailer, including passengers and all cargo.</i>
GROSS VEHICLE WEIGHT RATING (GVWR)	<i>The maximum allowable weight of the vehicle, including passengers, cargo, fuel, hitch, trailer tongue load, and any optional equipment.</i>
HITCH BALL	<i>A ball that connects the trailer to the tow vehicle hitch and provides the means by which the trailer pivots during cornering. Available in a number of sizes and weight capacities, it must correspond to the trailer coupler size, and have a sufficient capacity rating for the trailer being pulled.</i>
RECEIVER HITCH	<i>A frame- or structure-mounted hitch with a receiver that allows removal of the ball mount.</i>
SAFETY CHAINS/CABLES	<i>Provides an emergency connection between the tow vehicle and the trailer, should the trailer become disengaged for any reason.</i>
SURGE BRAKES	<i>Hydraulic-type braking system activated by inertia. As the tow vehicle begins to brake, the trailer pushes against the hitch ball, consequently activating the electric trailer brakes.</i>
SWAY-CONTROL	<i>Mounts between the tow vehicle and the trailer, reducing trailer sway to help the driver maintain optimum control.</i>
TRAILER TONGUE/COUPLER	<i>The part of the trailer that extends forward to meet the tow vehicle, and also carries the coupler assembly.</i>
TRAILER TONGUE LOAD	<i>The amount of trailer weight pressing down on the tow vehicle hitch.</i>
WEIGHT-DISTRIBUTING HITCH SYSTEM	<i>Type of hitch system that helps shift the trailer tongue weight to all trailer tires and the tow vehicle front tires. Strongly recommended when towing trailers with a Maximum Trailer Weight greater than 5,000 lbs.</i>
WIRING HARNESS	<i>Provides an electrical connection linking the tow vehicle's electrical system to the trailer's system.</i>

SPECIFICATIONS

TOWING CAPACITIES SUV's, Trucks, and Minivans

2004 ARMADA TOWING DATA			
Engine Type	5.6L V8		
Transmission	A/T		
Model(s)		4x2	4x4
Maximum Trailer Weight ¹ (lbs.)	without optional tow package	6,500	6,500
	with optional tow package ³	9,100	9,100
Maximum Trailer Tongue Load (lbs.)	without optional tow package	650	650
	with optional tow package ³	910	910
Gross Combined Weight Rating (lbs.)	without optional tow package	12,800	13,000
	with optional tow package ³	14,600	14,800
Additional RECOMMENDED Equipment ^{3,4}	Sway-Control Device Weight-Distributing Hitch Ball Mount (Class IV)		

2004 FRONTIER TOWING DATA							
Engine Type	2.4L 4-Cylinder		3.3L V6		3.3L SuperCharged		3.3L SuperCharged/Crew Cab/Long Bed
Transmission	M/T	A/T	M/T	A/T	M/T	A/T	A/T
Model(s)	4x2		4x2 & 4x4		4x4		4x2 & 4x4
Maximum Trailer Weight ¹ (lbs.)	3,001	2,000	3,500	5,000	3,400	4,902	4,902
Maximum Trailer Tongue Load (lbs.)	300	200	350	500	340	490	490
Gross Combined Weight Rating (lbs.)	7,000	6,000	8,002	9,500	8,002	9,500	9,500
Additional RECOMMENDED Equipment ⁴	Sway-Control Device	-	Sway-Control Device				

2004 MURANO TOWING DATA	
Engine Type	3.5L V6
Transmission	CVT
Maximum Trailer Weight ¹ (lbs.)	3,500
Maximum Trailer Tongue Load (lbs.)	350
Gross Combined Weight Rating (lbs.)	8,100
Additional RECOMMENDED Equipment ⁴	Sway-Control Device

2004 PATHFINDER TOWING DATA	
Engine Type	3.5L V6
Transmission	A/T
Model(s)	4x2 & 4x4
Maximum Trailer Weight ¹ (lbs.)	5,000
Maximum Trailer Tongue Load (lbs.)	500
Gross Combined Weight Rating (lbs.)	9,500
Additional RECOMMENDED Equipment ⁴	Sway-Control Device

2004 QUEST TOWING DATA	
Engine Type	3.5L V6
Transmission	A/T
Maximum Trailer Weight ¹ (lbs.)	3,500
Maximum Trailer Tongue Load (lbs.)	350
Gross Combined Weight Rating (lbs.)	8,500
Additional RECOMMENDED Equipment ⁴	Sway-Control Device

2004 TITAN TOWING DATA									
Engine Type	5.6L V8								
Transmission	A/T								
Model(s)		XE (4x2 and 4x4 Models, King and Crew Cab)		LE with High Utility Bed (4x2 and 4x4 Models, King and Crew Cab)		SE with Standard Bed (4x2 and 4x4 Models, King and Crew Cab, except where noted)		SE with High Utility Bed (4x2 and 4x4 Models, King and Crew Cab)	
Maximum Trailer Weight ^{1,2} (lbs.)	without optional tow package	6,500		7,200		7,400		7,300	
	with optional tow package ³	N/A		9,200		9,400 9,500 - 4x2 K/Cab		9,300	
Maximum Trailer Tongue Load ² (lbs.)	without optional tow package	650		720		740		730	
	with optional tow package ³	N/A		920		940 950 - 4x2 K/Cab		930	
		4x2	4x4	4x2	4x4	4x2	4x4	4x2	4x4
Gross Combined Weight Rating (lbs.)	without optional tow package	11,600	11,800	12,800	13,000	12,800	13,000	12,800	13,000
	with optional tow package ³	N/A	N/A	14,600	14,800	14,600	14,800	14,600	14,800
Additional RECOMMENDED Equipment ^{3,4}	Sway-Control Device Weight-Distributing Hitch Ball Mount (Class IV)								

2004 XTERRA TOWING DATA					
Engine Type	2.4L 4-Cylinder	3.3L V6		3.3L SuperCharged	
Transmission	M/T	M/T	A/T	M/T	A/T
Model(s)	4x2	4x2 & 4x4			
Maximum Trailer Weight ¹ (lbs.)	3,500	3,500	5,000	3,500	5,000
Maximum Trailer Tongue Load (lbs.)	350	350	500	350	500
Gross Combined Weight Rating (lbs.)	7,700	8,000	9,500	8,000	9,500
Additional RECOMMENDED Equipment ⁴	Sway-Control Device				

- 1 Maximum Trailer Weight values are calculated based on a base vehicle with driver and any options required to achieve the rating. Additional passengers, cargo and/or optional equipment will add weight to the vehicle and reduce the vehicle Maximum Trailer Weight.
- 2 The Maximum Trailer Weight when using the Genuine Nissan step bumper in this application as a ball mount is 5,000 lbs.; the Maximum Trailer Tongue Load is 500 lbs.
- 3 The vehicle optional tow package **does not** include a trailer hitch ball mount. Two ball mount options are available through your Nissan dealer:
 - Class III hitch ball mount for trailers with a Maximum Trailer Weight of **5,000 lbs. or less**.
NOTE – There is no hitch ball included with the Class III ball mount. This ball mount can be used with any hitch ball with a shank diameter of 1" or larger.
 - Class IV Weight-Distributing hitch ball mount is **STRONGLY RECOMMENDED** when towing trailers with a Maximum Trailer Weight **greater than 5,000 lbs.**, and can also be used with trailers under 5,000 lbs. Maximum Trailer Weight.
NOTE – The Class IV ball mount includes a 2 ⁵/₁₆" hitch ball rated for 10,000 lbs. Smaller hitch ball sizes may be used by following the instructions included in the ball mount kit.
- 4 A sway-control device is recommended for all towing above 2,000 lbs., especially for a single-axle trailer. A sway-control device is not currently available from Nissan. See a professional supplier of towing equipment for a properly designed sway-control device for your trailer.

NOTES:

- Towing above 1,000 lbs. may require electric trailer brakes. Check local ordinances.
- M/T – Manual Transmission, A/T – Automatic Transmission

Passenger Vehicles – The towing capacity for Maxima, Altima, Sentra, and 350Z (Coupe Only) is 1,000 lbs.; the maximum trailer tongue load is 100 lbs.

NOTE – For passenger vehicles, the trailer tongue load must be subtracted from the GVWR as shown on the F.M.V.S.S. certification label located in the driver's-side door area.

Other Recommendations and Information – Towing performance and speed are affected by vehicle payload, tow weight, road grades, and weather conditions, including high temperatures. See your owner's manual for details.

TOWING EQUIPMENT CLASSES

	Class I Trailer hitch equipment* can be used to tow trailers with a maximum weight of 2,000 lbs.		Class II Trailer hitch equipment* can be used to tow trailers with a maximum weight of 3,500 lbs.		Class III Trailer hitch equipment* can be used to tow trailers with a maximum weight of 5,000 lbs.		Class IV Trailer hitch equipment* can be used to tow trailers with a maximum weight of 10,000 lbs.	
	Bumper Towing	Receiver Hitch	Bumper Towing	Receiver Hitch	Bumper Towing	Receiver Hitch	Bumper Towing	Receiver Hitch
Armada								X
Frontier	X					X		
Murano				X				
Pathfinder						X		
Quest				X				
Titan					X			X
Xterra						X		
Passenger Vehicles		X						

NOTES:

- ♦ Towing capability of the vehicle may be less than the maximum towing rating of the equipment. See TOWING CAPACITIES earlier in this section, or refer to your owner's manual for detailed information regarding the towing capacity of your specific vehicle.
- ♦ A weight-distributing hitch should be used to tow trailers that weigh over 5,000 lbs.
- ♦ You can tow a trailer with a lower rating than the hitch. For example, a Class IV hitch can tow a Class II trailer.

TOW VEHICLE WIRING HARNESSES

	Harness Type	Trailer Lighting	Electric Trailer Brakes
Armada	7-pin connector wiring harness	Pre-wired	Pre-wired with 7-pin harness. Requires an electric trailer brake controller (supplied by customer), and an electric trailer brake controller wiring harness (included with vehicle or available from Nissan dealer).
Frontier	4-pin connector wiring harness	Available with accessory wiring harness	N/A
Murano	4-pin connector wiring harness	Available with accessory wiring harness	N/A
Quest	4-pin connector wiring harness	Available in factory tow package	N/A
Pathfinder	4-pin connector wiring harness	Available with accessory wiring harness	N/A
Titan	7-pin connector wiring harness	Pre-wired	Pre-wired with 7-pin harness. Requires an electric trailer brake controller (supplied by customer), and an electric trailer brake controller wiring harness (included with vehicle or available from Nissan dealer).
Xterra	4-pin connector wiring harness	Available with accessory wiring harness	N/A

*Includes matched receiver, ball mount, and hitch ball.

PROTECTION

At Nissan, we back everything we build. So we're proud that every Nissan is protected by some of the best New Vehicle Limited Warranties, including 36-month/36,000-mile basic coverage*. All 2004 models also feature 60-month/60,000-mile powertrain coverage**. And, Nissan warranties are completely transferable if you should sell your Nissan.

If you want additional peace of mind, we proudly offer the Nissan Security+Plus® Vehicle Protection Plan. This plan offers quality mechanical protection long after your New Vehicle Limited Warranty expires.

The Security+Plus® Vehicle Protection Plan is backed by Nissan and designed exclusively for Nissan owners. From a variety of plans available, you can choose the one that best fits your driving needs (up to 84 months/100,000 miles!). For the maximum coverage, you'll want to opt for Security+Plus Gold Preferred.

Whichever plan you choose, coverage is available throughout the United States. Repair work will be done at authorized Nissan dealers by Nissan-trained technicians utilizing Genuine Nissan Parts.

For more information about Security+Plus® Vehicle Protection Plans, contact your participating Nissan dealer.

The quality of Genuine Nissan Parts and Accessories is backed by the integrity of a Genuine Nissan Replacement Parts and Accessories Limited Warranty. If purchased within the basic coverage period of 36 months/36,000 miles, Genuine Nissan Parts and Accessories are covered by the remaining period of the warranty. If the remaining period is less than 12 months/12,000 miles (or if the vehicle warranty has expired), then Genuine Nissan Accessories are covered by their own 12-month/12,000-mile Limited Warranty. See your Warranty Information Booklet or ask your Nissan dealer for specific details.

CONCERN FOR YOUR SAFETY

Nissan urges you to always use your seat belt whenever you drive. And please make sure all passengers are buckled up. Keep in mind that air bags are a supplemental restraint system and must always be used in conjunction with a seat belt. Also, with a front-passenger air bag, a rear-facing child restraint must never be placed in the front-passenger's seat. Children 12 and under should ride in the rear seat properly secured in child restraints, booster seats, or seat belts, according to their size. Please see your owner's manual for more details.

*Basic coverage for 2004 Quest is 60 months/60,000 miles.

***For complete warranty details, read the Warranty Information Booklet or see your nearest Nissan dealer.

COMMITMENT

At Nissan, our commitment to your satisfaction extends well beyond building a full line of quality products. It begins with people dedicated to designing vehicles to satisfy your needs. Then building them to standards that are beyond your expectations. Our nationwide network of nearly 1,100 dealers will help you select the Nissan that's right for you. For further assistance, search our Web site at NissanUSA.com. For Nissan dealer locations or for more information on this and other Nissan products, call 1-800-239-8810. Or call 1-800-NISSAN-1 for answers to product-related issues and solutions to your transportation needs.

All illustrations, photographs, and specifications in this publication are based on the latest product information available at the time of printing. Some vehicle parts cannot be shown in certain photographs. Some vehicles are shown with optional equipment. See the actual vehicle for complete accuracy. Availability and delivery time for particular models and equipment combinations may vary. Nissan North America, Inc. reserves the right to make changes at any time, without prior notice, in prices, colors, materials, equipment, specifications, and models, and to discontinue models or equipment. All specifications, options, and accessories shown in this publication apply to the 49 continental states. Specifications, options, and accessories may differ in Hawaii, U.S. territories, and other countries. For information on availability, additional options, or accessories, see your Nissan dealer.

Nissan, the Nissan Brand Symbol, "SHIFT_" tagline, and Nissan Model names are Nissan trademarks.